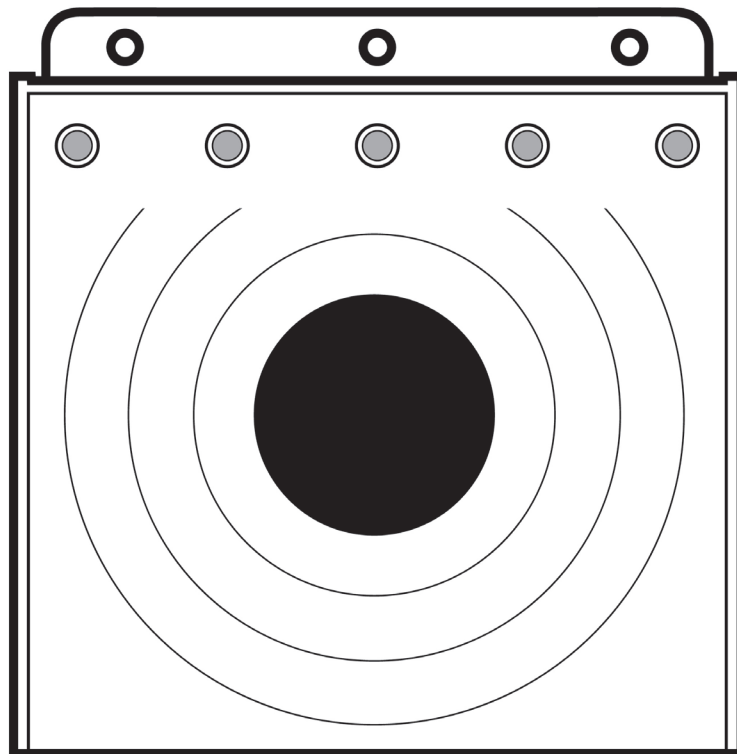




[www.pentashot.eu](http://www.pentashot.eu)

# Hit Compact target

**OPERATING MANUAL**

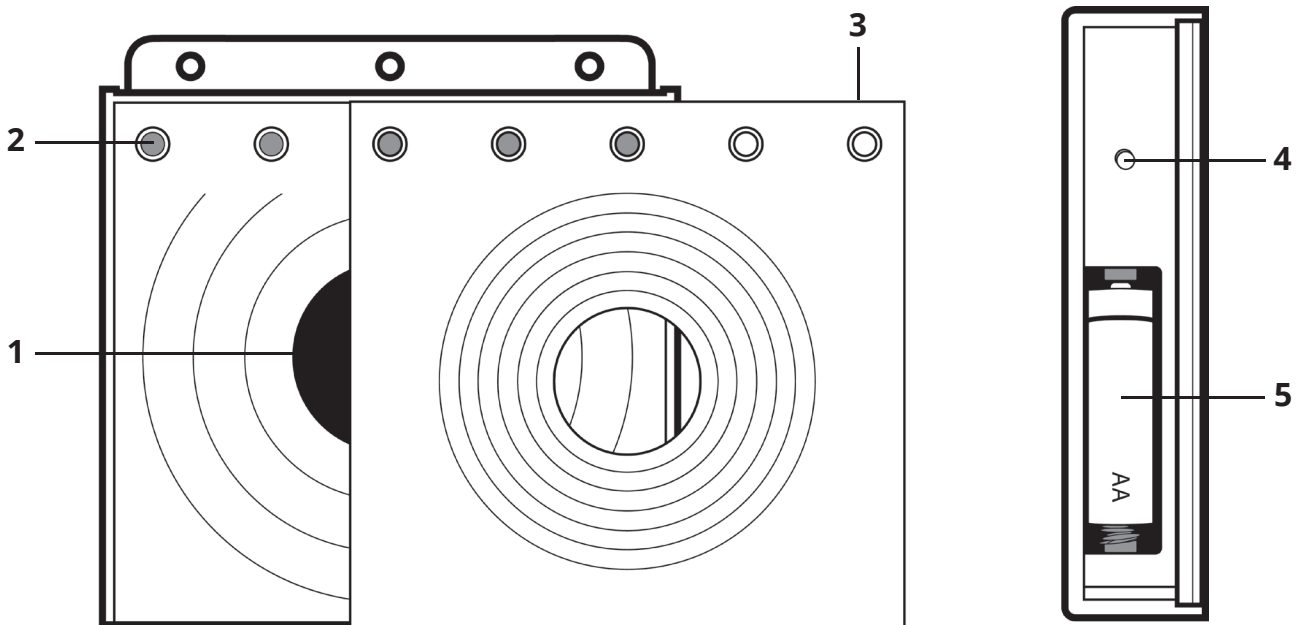




## SAFETY NOTES AND IMPORTANT INFORMATION

- Before using, read the operating manual thoroughly.
- Use the equipment as indicated in the operating manual.
- The target should be positioned so that no direct sunlight reaches it (UIPM rule B.5. 15. i).
- The laser target is opto-electric equipment and dismantling it is forbidden!
- Before and after use, always store the target in the cover that comes with it.
- PENTASHOT recommends alkaline batteries.
- Never use rechargeable AA batteries.
- Damaging the safety label voids the warranty.

## DESCRIPTION



1 Hit zone

2 LEDs

3 Reduction area

4 Start button

5 Battery

## PURPOSE

The Hit Compact target is for instruction and training for the laser run in modern pentathlon. The target evaluates the laser beam shot to the hit zone (1). A shot to the hit zone is signalled when a green LED lights up (2). Shooting time is 50 seconds from the first shot to the hit zone. After 40 seconds, the first LED on the left flashes slowly for 5 seconds, and after 45 seconds it starts to flash quickly. After 50 seconds, all LEDs flash for 5 seconds. All LEDs also flash after the fifth successful shot to the hit zone. The target runs on one 1.5V AA battery (5).

**!** *The target can be shot with any approved emitter with a UIPM code.*

## PREPARING THE TARGET FOR USE

Insert one 1.5V AA battery into the battery compartment (5). Place the target on a level surface or use the holes to hang it on a wall or other prepared surface. Turn the target on with the START button (4). After it is turned on, first the green LEDs go on and then the red ones (for just a few seconds). Then the target automatically checks its battery status by lighting up the green LEDs:

- 5 green LEDs – fully battery
- 4 green LEDs – battery at 75%
- 3 green LEDs – battery at 50%
- 2 green LEDs – battery at 25%
- 1 green LED – battery dead; replace it

**!** *For shooting from 5 metres, it is necessary to put the reduction surface (3) onto the target.*

## UPDATE FUNCTION

**👤** *The target can be updated only by the manufacturer or an authorized person.*

## STORAGE

It is very important to store the Hit Compact target under the correct conditions to keep it in good, reliable condition. Always do the following:

- Before storing the Hit Compact target with a laser emitter connected for an extended time, always remove the battery. This prevents internal damage to the simulator if the battery leaks.
- Store the Hit Compact target in the original packaging (case) in a dry, dark place out of reach of children.
- Do not place any heavy objects on the case, or items that may leak fluids.
- Protect the Hit Compact target from weather, including frost and moisture. The optimal storage temperature is between +5 and +30° C. The storage location's air humidity must not exceed 60%. Do not store the simulator in a damp environment where there is high risk of corrosion.

## WARRANTY

A warranty repair shall apply exclusively to defects that have provably arisen during the effective warranty period, namely as a result of a material defect or a manufacturing defect. Defects arising in such a manner may be remedied only by the manufacturer or an authorized maintenance and service center. The buyer can make a claim under the warranty against the manufacturer or authorized dealer, as the case may be.

The warranty period shall become effective on the day of purchase or delivery of the Goods to the Buyer, and the warranty remains valid for 24 months.

In particular, the following cases are excluded from the warranty repair:

- The product has not been returned to the dealer/manufacturer with the proof of purchase.
- Wear and tear due to the use of the product or damage to the product (incl. damage caused by unskilled installation, improper commissioning, non-compliance with the procedures defined in the instructions for use, etc.).
- Damage to the product caused by contamination, an accidental or disaster event or occurring as a result of natural or external events such as a storm, fire, water, excessive heat or chill, ingress of a liquid, etc.
- Mechanical damage to the product (e.g. caused by fall, breaking, etc.) or damage arising during the transportation.
- Damage, unauthorized design modifications, improper modification of the product or any other interventions in the product conducted by unauthorized persons or maintenance and service centers.

## DISPOSAL



Once the Hit Compact target ends its lifetime, do not dispose of it along with other household waste. Take it to a waste disposal site of raw materials or let it be disposed at a specialized company capable of recycling such a material.

**NOTES**





[www.pentashot.eu](http://www.pentashot.eu)

**Address:** PENTASHOT EU s.r.o.  
Zámecká 2315/9  
70200 Ostrava

**E-mails:** [jiri@pentashot.eu](mailto:jiri@pentashot.eu)  
[business@pentashot.eu](mailto:business@pentashot.eu)  
[info@pentashot.eu](mailto:info@pentashot.eu)

**Delivery address:** PENTASHOT EU s.r.o.  
Kosmova 1090/11  
70200 Ostrava

**Phone numbers:** +420 605 252 433  
+420 773 002 110  
+420 607 056 112